

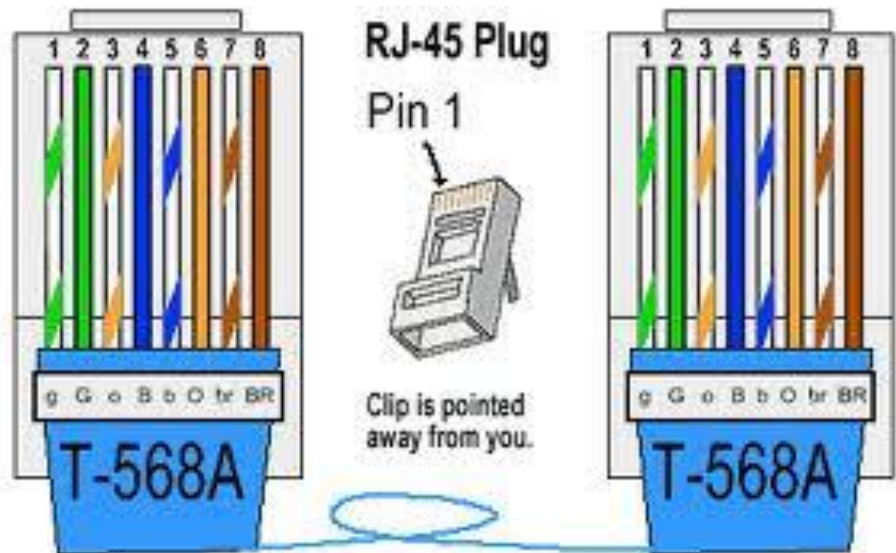
Features

1. Ergonomically designed to fit in your hand.
2. The blades will not accidentally damage the shielded wire.
3. Durable construction.
4. Insert the cable into the connector end and squeeze handles together to 'crimp' the cable.
5. Works with 4-, 6-, or 8-pin unshielded twisted-pair (UTP) modular connectors.

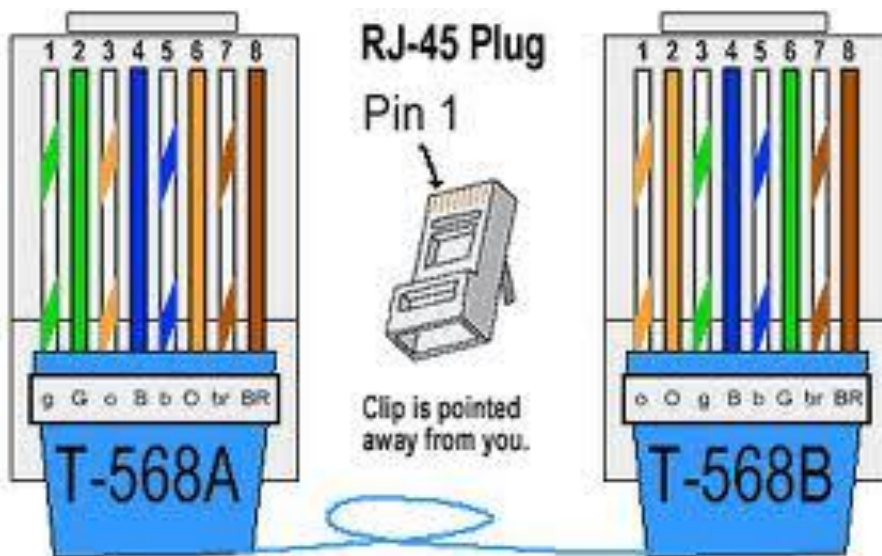
Cabling

Straight-through cables should be crimped in the following order, on either end, numbering from Pin #1 :

- Striped green
- Solid green
- Striped orange
- Solid blue
- Striped blue
- Solid orange
- Striped brown
- Solid brown



Cross-over cables follow the same colour combination as the above for one end, and the following for the other, again numbering from Pin #1 :



- Striped orange
- Solid orange
- Striped green
- Solid blue
- Striped blue
- Solid green
- Striped brown
- Solid brown